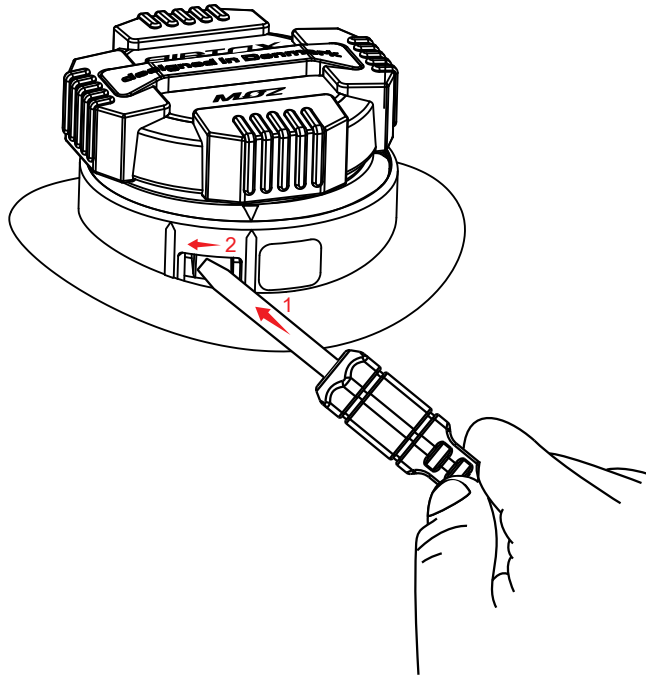


## ◎ Remove knob

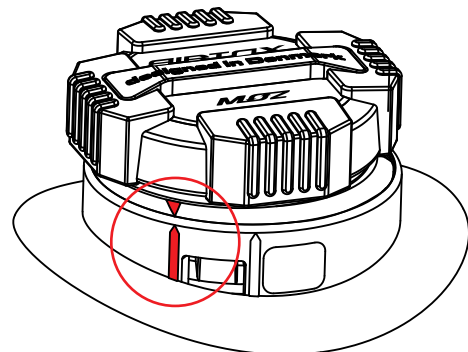
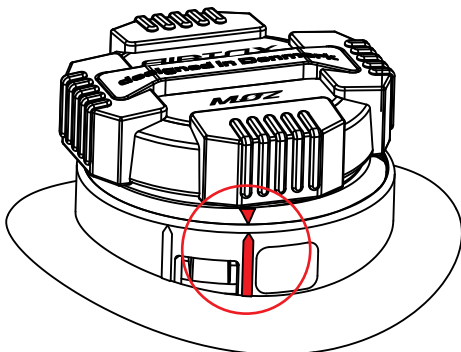
- ◎ 1. Step 1: Take a small flat screw driver (with head 3mm, as width) and insert it at the left side of the bottom of the hook.  
Step 2: Once inserted, push inward till the end at clockwise direction.



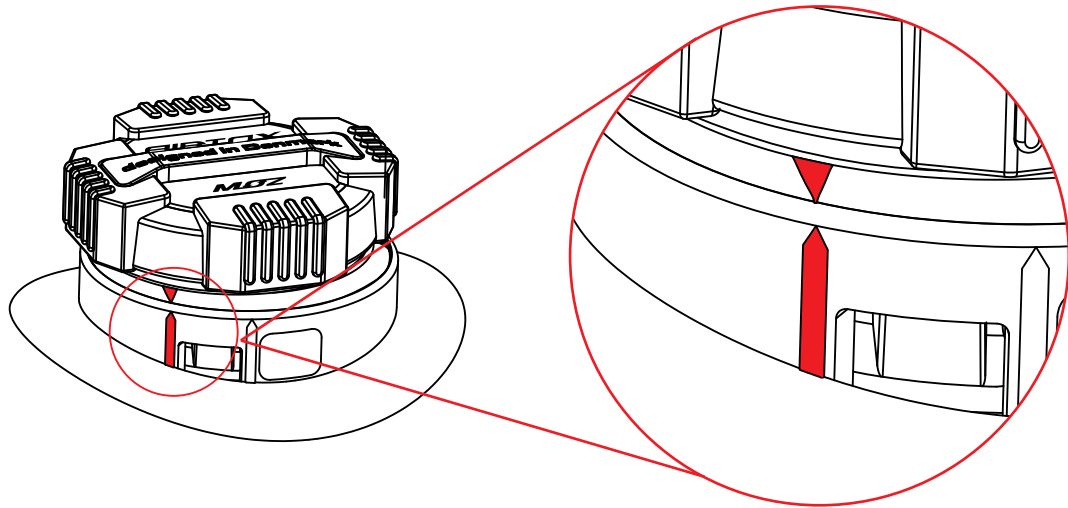
- ◎ 2. Then, the arrow on the knob will get aligned with the arrow at the bottom left side of the base.

Before

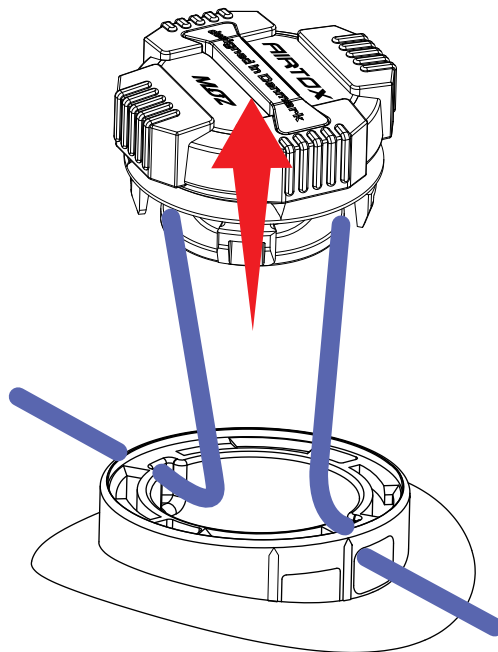
After



- 3. Ensure this step 2 is done correctly before disassembly, as shown in red part.

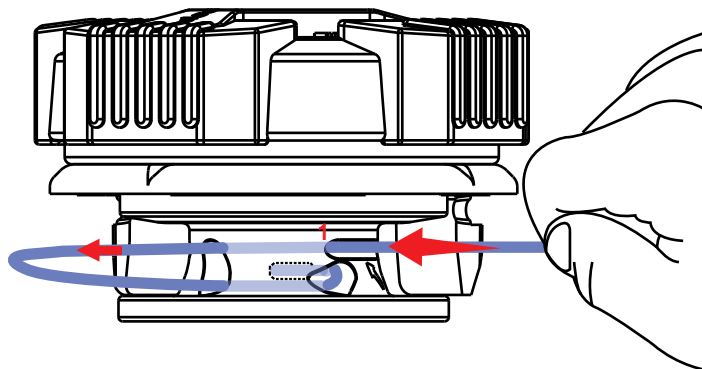


- 4. Hold firmly the knob and pull it up to disassemble it from the base.

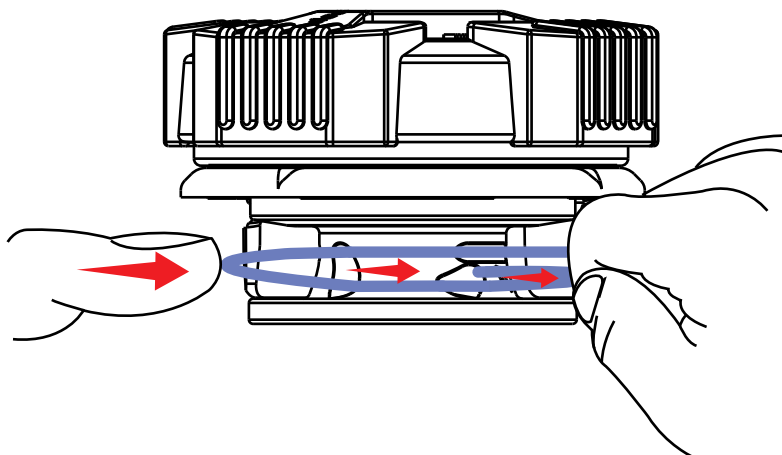


## ⦿ Remove Lace

- ⦿ 1. Push lace back through hole 1 to create a loose loop



- ⦿ 2. Unseat lace end from hole 3



- ⦿ 3. Remove all lace from reel

